

# SPECIFICATION

Customer : \_\_\_\_\_

Customer's Model No. : \_\_\_\_\_

Model No. : SD300 Series \_\_\_\_\_

Date : \_\_\_\_\_

Sample Serial No. : \_\_\_\_\_

Spec. Version & Revision Date: V1.0 2004.09.01 \_\_\_\_\_

Received/Approved by



Web : <http://www.champtek.com>

E-mail : [sales@champtek.com](mailto:sales@champtek.com)

ChampTek Incorporated

5/F, No. 2, Alley 2, Shih-Wei Lane, Chung Cheng Rd.,

Hsin Tien City, Taipei, Taiwan, R.O.C.

Tel : 886-2-22192385

Fax : 886-2-22192387



## Revision History

Version	Date	Context
1.0	2004.09.01	Golden release



## TABLE OF CONTENTS

A. General Description .....	4
B. Physical Characteristics.....	5
C. Electrical Characteristics.....	6
D. Performance.....	7
E. Environmental.....	8
F. Readable Symbologies.....	8
G. Pin Assignment.....	9
H. Reliability.....	11
I. Packing.....	12
J. Part Number .....	13



## A. General Description

This well-designed handheld CCD scanner has inherited the characteristic of “high performance with low price” from its previous series. Aside from the principle of excellence mechanical design, it also installs with many user-friendly operations; detachable cable, 4-in-1 interface, and 2 years product warranty; these have added-up additional values to it.

As far as the performance, this scanner provides reliable scanning depth from contact to 1 inch, Collaborating with POS or regular cash register system, user is able to program this device to “continuous mode” or any other scan mode if needed,

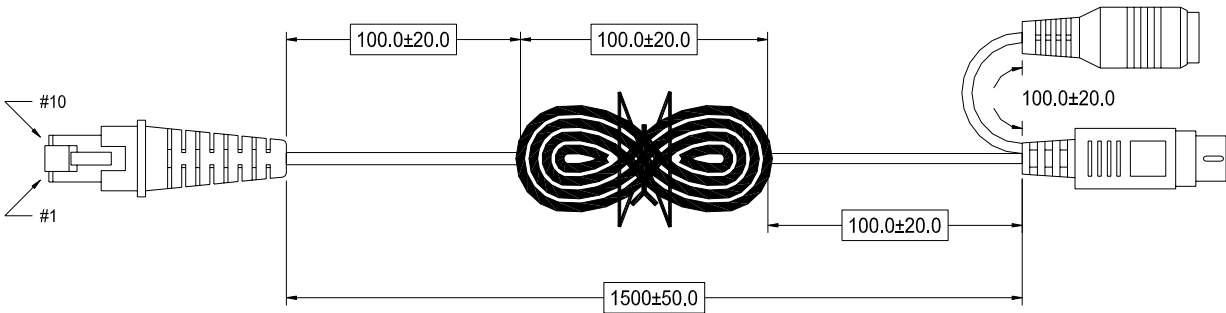
Aid in various major barcodes, hand-on software-programming function, this economical-type barcode scanner is the best choice ever.



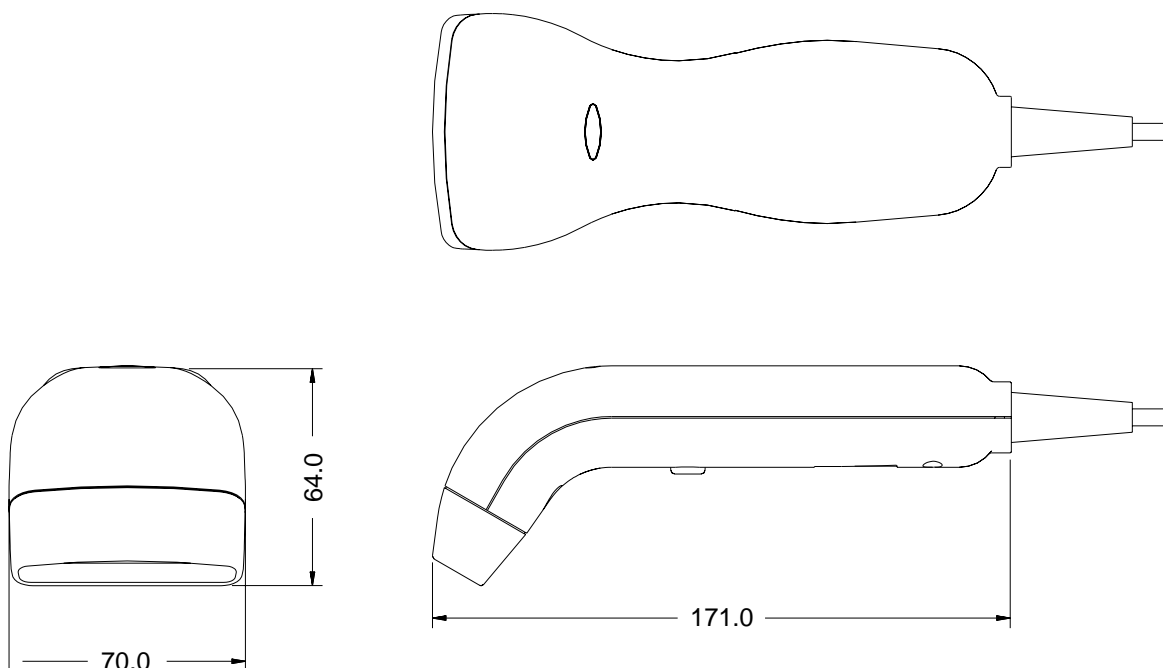
**B. Physical Characteristics**

<b>Weight</b>	
Body weight	Approx. 4.94 oz ( 140 gm )
Cable weight	Approx. 2.65 oz ( 75 gm ) @ KB Interface
<b>Material</b>	
	ABS
Cable Length	5FT. ( 150cm )
<b>Connector</b>	
	RJ 45C 10Pins
Dimension	174 mm X 80 mm X 66 mm

**(a) Cable drawing \_ KB Interface**



**(b) Mechanical drawing**



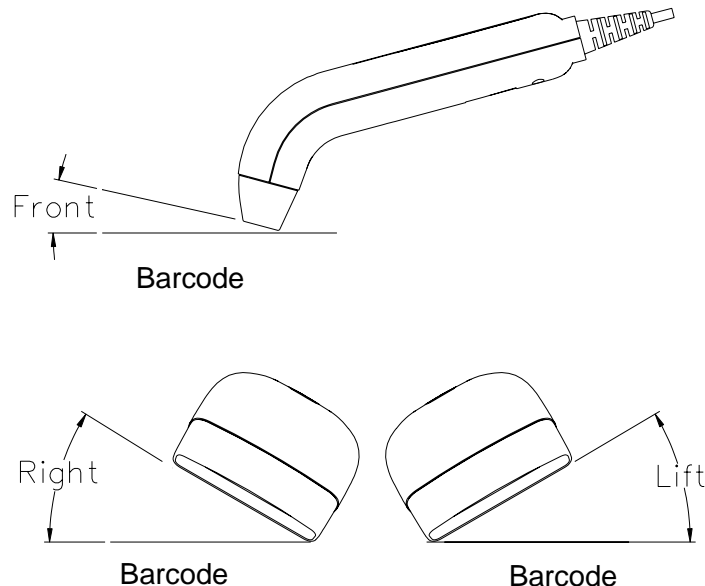
### C. Electrical Characteristics

Interface	RS232	WAND Emulation	KB	USB
Supply Voltage		DC +5V $\pm$ 5%		
Output Voltage (Typ.)	$\pm$ 9V	+5V	+5V	+5V
Output low Voltage (Max.)	-	0.7V	0.7V	0.4V
<b>Current Draw</b>				
Power On (Typ.)	90 mA	80 mA	80 mA	85 mA
Stand by (Typ.)	65 mA	55 mA	55 mA	60 mA
Operation (Typ.)	125 mA	115 mA	115 mA	120 mA



## D. Performance

Light Source	632 nm
Sensor	Liner CCD Sensor
Processor Type	8051 compatible
Operating Freq.	29.4912 MHz
Scan Rate	85 ± 10 scans/sec
Reading Distance	50mm(Contact Type)
Width of Field	80 mm
Print Contrast Ratio	PCS 0.45@0.1mm
Resolution	0.1mm @ PCS 0.9
Reading Angle	<i>Test Conditions:Code 39, 10mil, PCS 0.9</i>
Forward	3~45 Degree
Left & Right	± 25 Degree
Dead Zone	±3 Degree
Ambient Light	
Fluorescent lamp	5000 Lux Max.
Direct sun light	3000 Lux Max.



## E. Environmental

Operating Temperature	0 °C to 50 °C (32 °F to 122 °F)
Storage Temperature	-20 °C to 70 °C (-4 °F to 158 °F)
Relative Humidity	20% to 95% (Non-condensing)
Mechanical Shock	Operational after 5 drops from 100 cm to Concrete

## F. Readable Symbologies

	Readable	Default Enable
All UPC/EAN/JAN	V	V
EAN128 Code	V	V
Code 39	V	V
Code 39 Full ASCII	V	
Code32 / Italian Pharmacy	V	
Code 128	V	V
CODABAR/NW7	V	V
Interleave 25	V	V
Industrial 25	V	
Matrix 25	V	
MSI/PLESSEY	V	
Telepen	V	
Code 93	V	
Code 11	V	
China Postage	V	

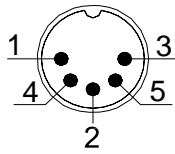


## G. Pin Assignment

### (a) Keyboard Interface

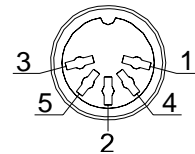
#### DIN 5 MALE

Pin No.	Function
1	HOST CLK
2	HOST DATA
4	GND
5	Vcc(+5V)



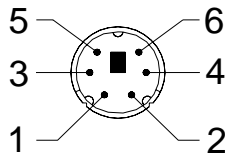
#### DIN 5 FEMALE

Pin No.	Function
1	KB CLK
2	KB DATA
4	GND
5	Vcc(+5V)



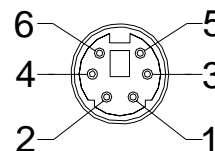
#### MiniDIN 6 MALE

Pin No.	Function
1	HOST DATA
3	GND
4	Vcc(+5V)
5	HOST CLK



#### MiniDIN 6 FEMALE

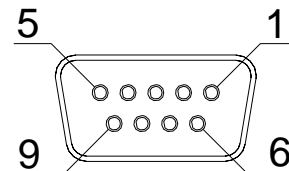
Pin No.	Function
1	KB DATA
3	GND
4	Vcc(+5V)
5	KB CLK



### (b) RS-232 Interface

#### DB 9 Female

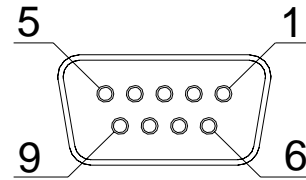
Pin No.	Function
2	TXD
3	RXD
5	GND
7	CTS
8	RTS
9	Vcc/+5V
Power Lead	Vcc/+5V



**c) WAND Emulation Interface**

**DB 9 Female**

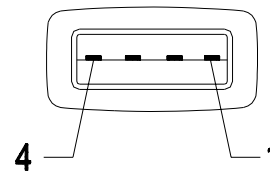
Pin No.	Function
2	DATA
7	GND
9	Vcc



**(d) USB Interface**

**USB A Type Male**

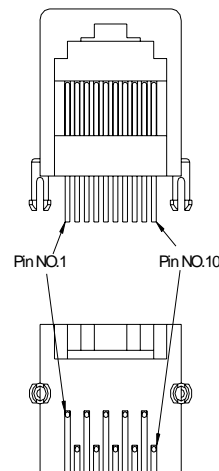
Pin No.	Function
1	Vcc
2	D-
3	D+
4	GND



**Decoder Data Output**

Type RJ45 10P

Pin No.	Function
1	RTS
2	HOST DATA
3	GND
4	HOST CLK
5	Vcc (+5V)
6	KB CLK
7	TXD
8	KB DATA
9	RXD
10	CTS



## H. Reliability

### Life Time

Light Source	40,000 hours
Trigger Switch	1,000,000 times
MTBF(Calculated)	24,000 hours

### Thermal Shock

High Temp.	60 °C (140 °F)
Low Temp.	-20 °C (-4 °F)
Cycle time	30 minutes for high temp. , 30 minutes for low temp.
Cycles	24 cycles

Cable Bending Test 25,000 times minimum (30 times/min @ 500g/90 °)

Mechanical Shock Operational after 5 drops from 100 cm to Concrete



## I. Packing

### Dimension

Unit	7 cm X 12cm X 23 cm
Carton	25 cm X 30 cm X 50 cm

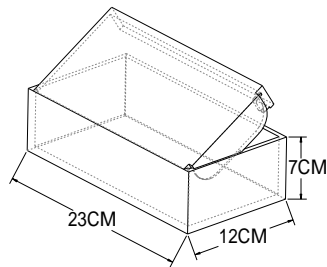
### Weight

Unit	365 g
Carton	8 Kg ( Q'ty :20 pcs )

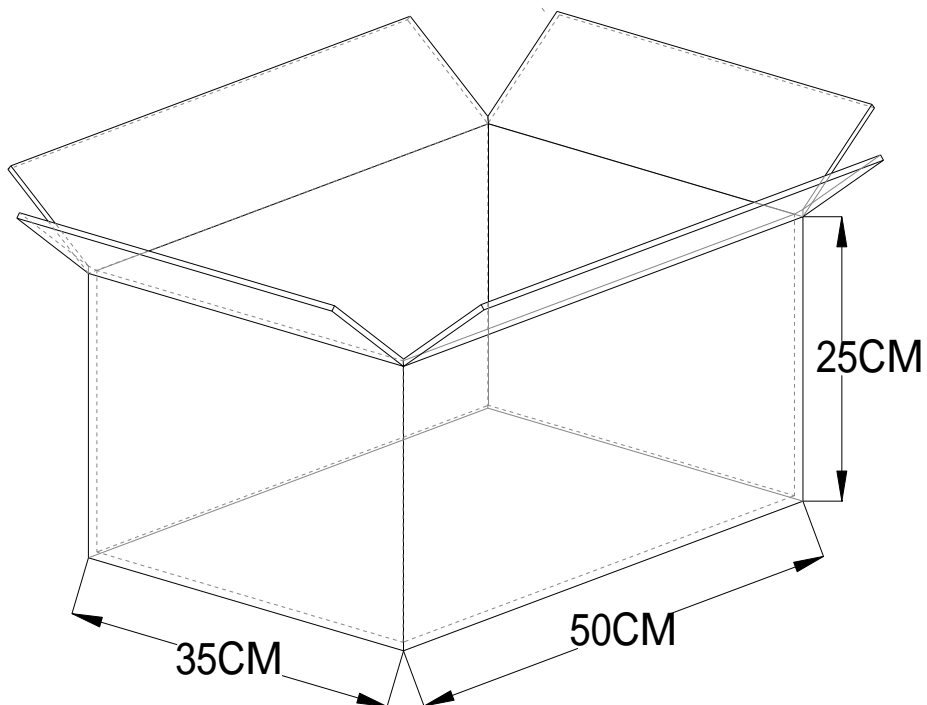
### Storage

Temperature	-20 °C to 60 °C (-4 °F to 140 °F)
Humidity	20% to 95% (Non-condensing)

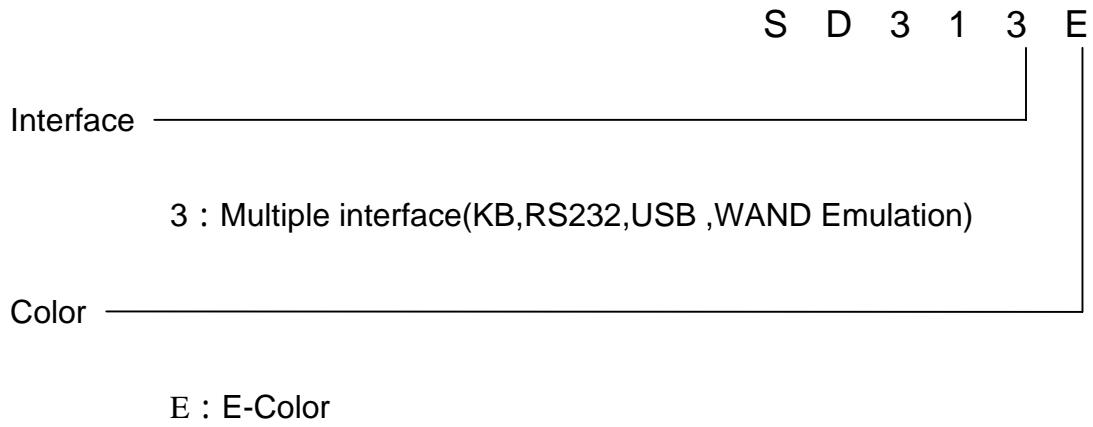
#### Unit :



#### Carton :



**J. Part Number**



**Cable P/N :**

Interface	Color	Cable P/N:
KB	E-Color	004SD805/PS2
	Black	004SD805B/PS2
RS232	E-Color	304SD802
	Black	304SD802B
USB	E-Color	304SD808
	Black	304SD808B

